

Cylinder Regulator

WegaMed 300

MEDI
CAL

Specification

Single stage cylinder pressure regulator in accordance to DIN 738-1 for pressurised medical gases.

CE -mark according to the Medical Device Directive 93/42/EEC.

Fluid Media

medical O₂ and Air

Operating Parameters

Inlet pressure:

Air, O₂ 11 to 300 bar / 160 to 4350 PSIG

Air 5 bar / 73 PSIG

..... at nominal flow 80 l/min

O₂ 5 bar / 73 PSIG

..... at nominal flow 76 l/min

Relief valve:

Opening pressure 8 bar / 116 PSIG

Min. flow 220 l/min (Air)

Temperature range:

Operation 10 to 40 °C

Storage -20 to +75 °C

Weight ca. 1.2 kg (depending on Inlet connection)

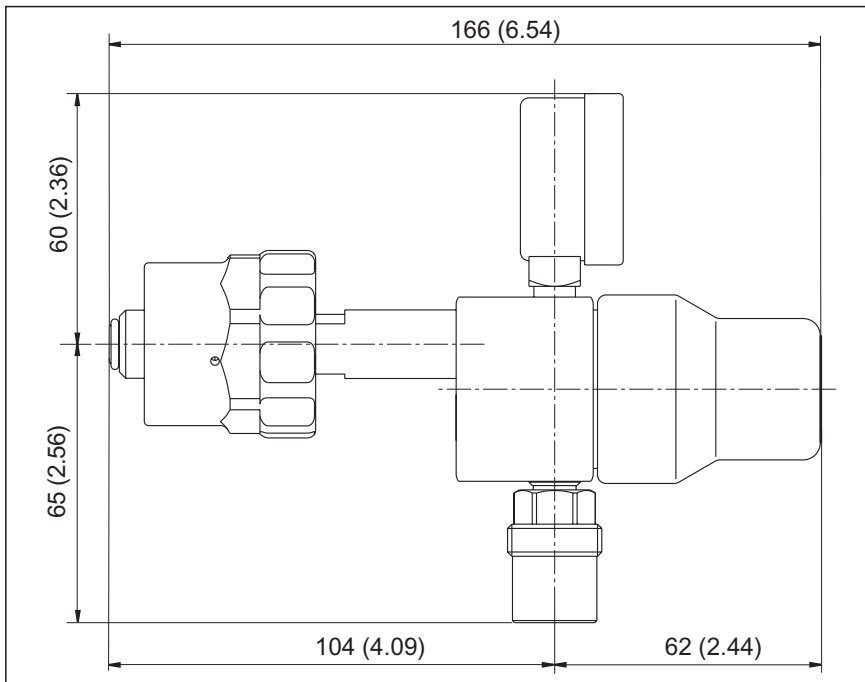
Connections see order no. at backpage



- Oxygen ignition test for 300 bar / 4350 PSIG
- Compact design
- Robust and reliable design for stationary and mobile application

WegaMed 300


All dimensions in mm (inch) are approximate data depending on the design.



Ordering Information

Example part Number:

D44875 - 12 D 46 2C

BASIC SERIES	GAS ¹⁾	INLET CONNECTION	OUTLET CONNECTION ²⁾	GAUGE
D44875	08 = Air 12 = O ₂	D = DIN 477 Part 5 Edition Feb. 1990 Y = DIN 477 Part 5 Edition April 2002	46 = srew connection NIST acc. to EN 739	2C = front, ø 40 (1.57) without safety cap 

1) neutral gas code marking

2) further outlet connections on request



TESCOM EUROPE GMBH & CO. KG

An der Trave 23-25 • D-23923 Selmsdorf • Germany
Tel: +49 (0) 3 88 23 / 31-0 • Fax: +49 (0) 3 88 23 / 31-199
info@tescom-europe.com • www.tescom-europe.com

TESCOM EUROPE is a business unit of the Regulator Division. Trademarks are property of divisions of Emerson Process Management.

12101-09-05 Subject to technical changes

