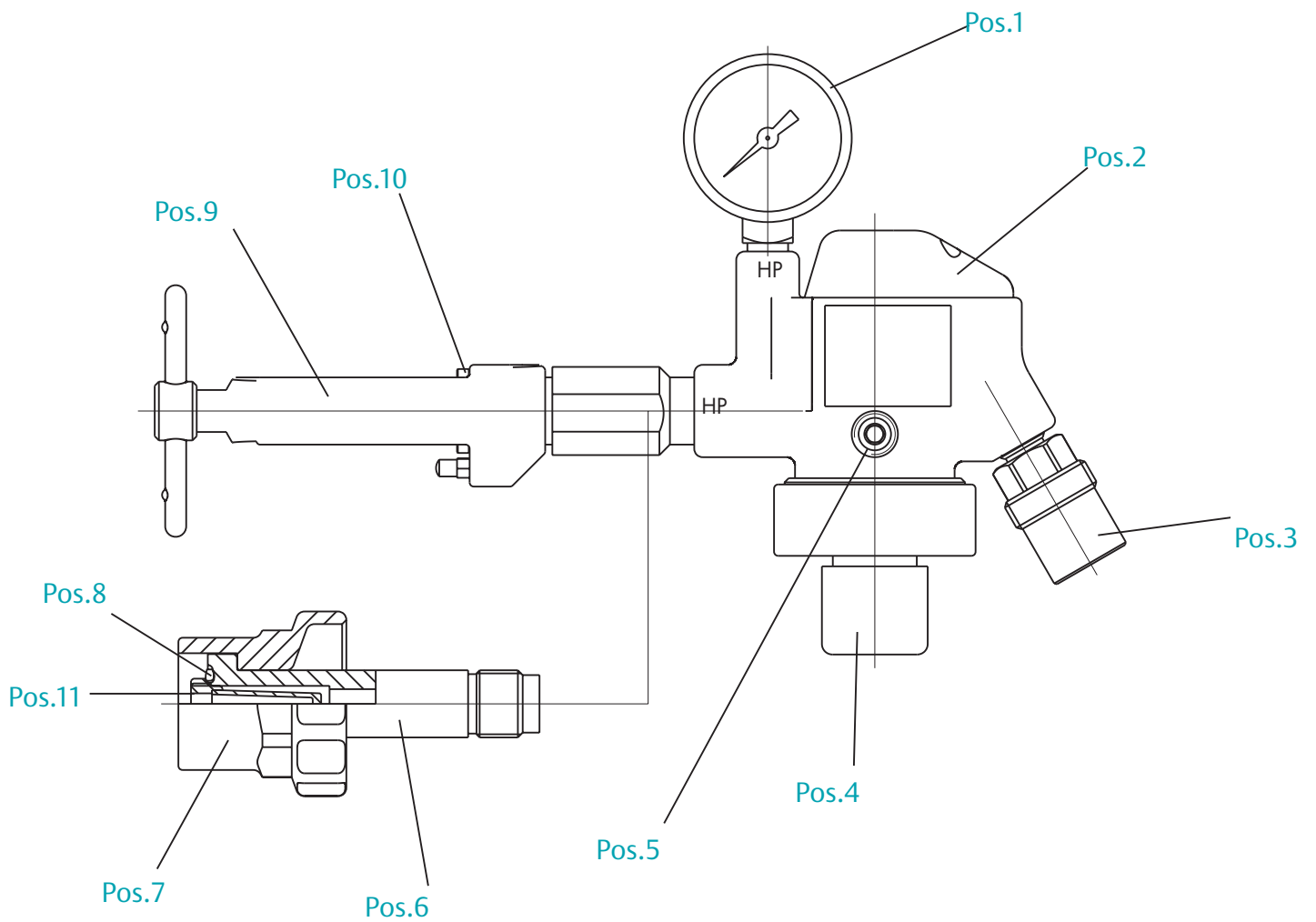


# WegaMed dual stage (datasheet 1 of 2)

MEDI  
CAL



Pos.	Part no.		Description
1	D44274-12G3156	O <sub>2</sub>	Gauge incl. sealing ring
	D44274-00G3156	Air	Gauge incl. sealing ring
	D44274-00G1606	N <sub>2</sub> O, CO <sub>2</sub>	Gauge incl. sealing ring
2	D15418		Cap
3	D44007-12	O <sub>2</sub>	NIST outlet connection
	D44007-13	N <sub>2</sub> O	NIST outlet connection
	D44007-08	Air	NIST outlet connection
	D44007-03	CO <sub>2</sub>	NIST outlet connection
4	D16114		Cap
5	D18348		Screw plug
6	D44815-2	O <sub>2</sub>	Connector clip
	D44816-2	N <sub>2</sub> O	Connector clip (big bottle)
	D44814-5	N <sub>2</sub> O	Connector clip (small bottle)
	D44814-2	Air	Connector clip
	D44813-2	CO <sub>2</sub>	Connector clip
7	D43985-1-120	O <sub>2</sub>	Hand wheel coupling nut
	D43985-2-120	N <sub>2</sub> O	Hand wheel coupling nut (big bottle)
	D43986-2-120	N <sub>2</sub> O	Hand wheel coupling nut (small bottle)
	D43986-1-120	Air	Hand wheel coupling screw
	D43985-3	CO <sub>2</sub>	Hand wheel coupling nut
8	R21399	O <sub>2</sub>	O-Ring
	D41414	N <sub>2</sub> O	O-Ring (big bottle)
	R21001	N <sub>2</sub> O	O-Ring (small bottle)
	R21001	Air	O-Ring
	D43921	CO <sub>2</sub>	O-Ring
9	D44818-12-070	O <sub>2</sub>	Pin index
	D44818-13-070	N <sub>2</sub> O	Pin index
	D44818-08-070	Air	Pin index
	D44818-03-070	CO <sub>2</sub>	Pin index
10	D45574		Sealing ring
11	D02316		Filter