

Central gas supply

CG-Pressure regulator II

max. 10 bar/145 PSIG outlet pressure

MEDI
CAL

Specification

Single stage cylinder pressure regulator according to DIN EN 738-1 for the reduction of pressurised medical gases.

CE-mark according to the Medical Device Directive 93/42/EEC.

Fluid Media

Air

Operating Parameters

Inlet pressure:up to 14 bar/203 PSIG

Outlet pressure:up to 10 bar/145 PSIG

Temperature range:

Operation 10 to 40 °C

Storage -20 to +70 °C

Weight 650 g

Connections see order no. at backpage

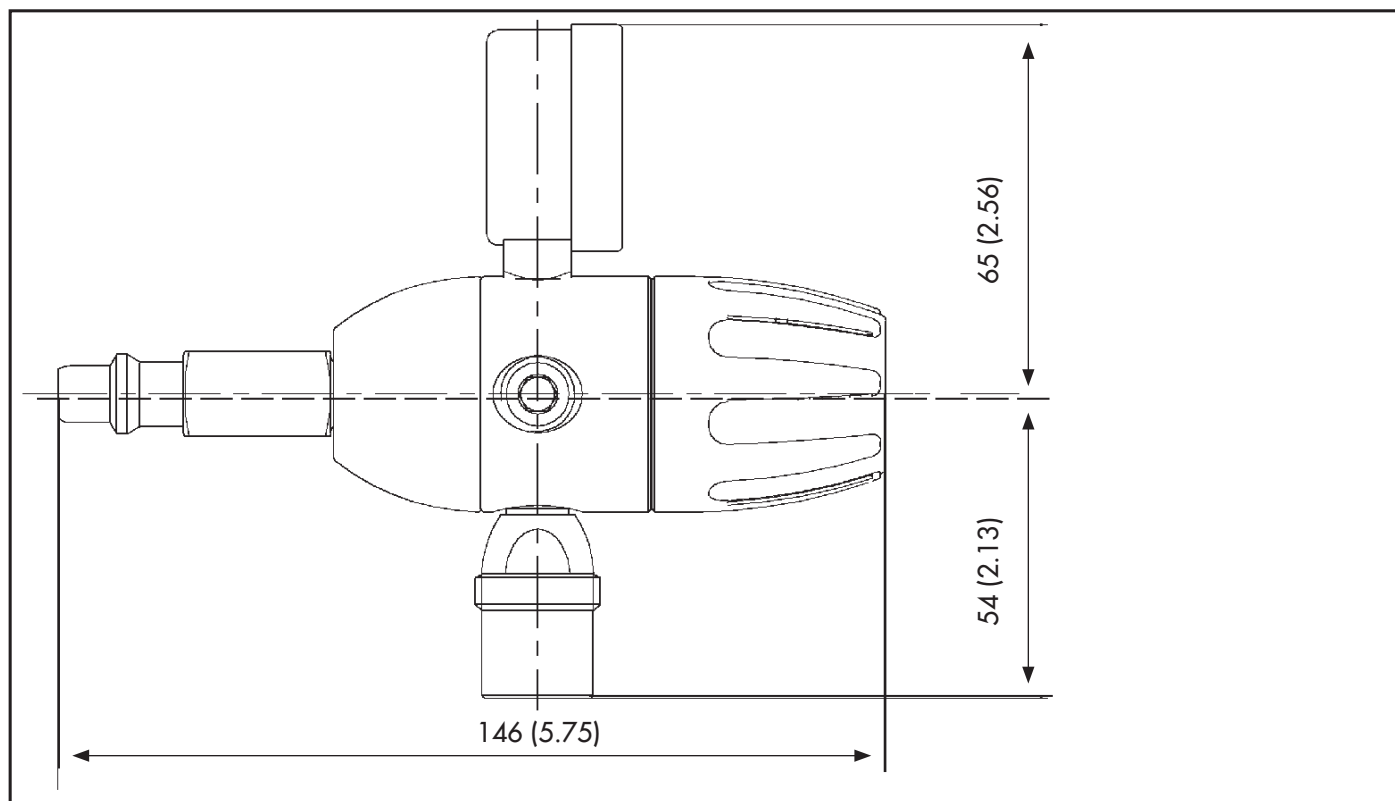


- Compact design
- Robust and reliable design for stationary application
- Simple and easy handling

TESCOM
EUROPE

CG-Pressure regulator II 10 bar/145 PSIG

All dimensions in mm (inch) are approximate data depending on the design



Ordering Information

Example Part Number:

D45714-08 - D - 46 I

BASIC SERIES	GAS	INLET CONNECTION ⁽¹⁾	OUTLET CONNECTION ⁽²⁾	GAS CODE MARKING
D45714	08 = Air	D = Fitting acc. to EN 737-6 and DIN 132620 A = User-specific fitting ø 12 (without CE-mark)	46 = srew connection NIST acc. to EN 739	N = black I = ISO gas code marking (ISO colores acc. to ISO 32)

¹⁾ further inlet connections on demand

²⁾ further outlet connections on demand

Recommendet Accessory

E-Set NIST for connecting hose acc. to EN 739

D45419-08 = Air



An der Trave 23-25 • D-23923 Selmsdorf • Germany
Tel. +49/(0)38823/31-0 • Fax +49/(0)38823/31-199
info@tescom-europe.com • www.tescom-europe.com