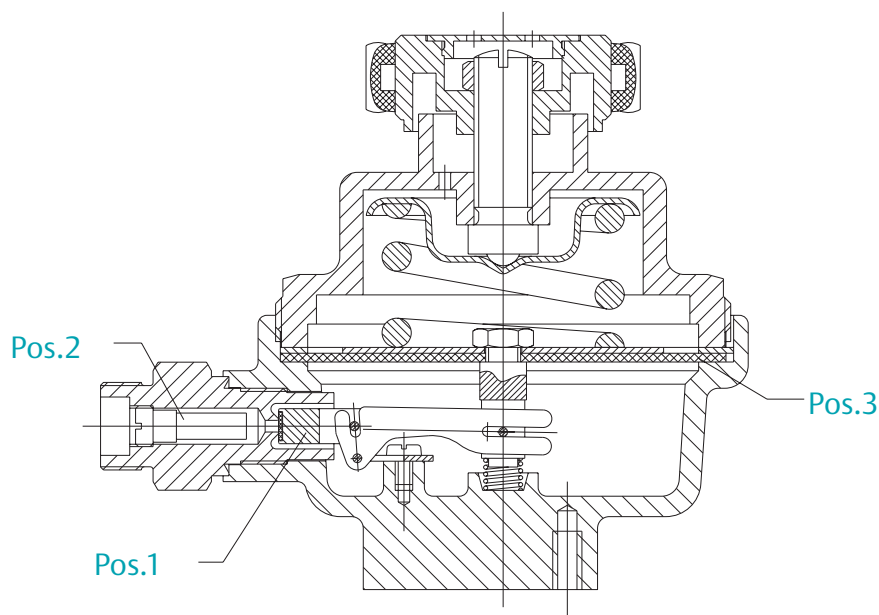


Pressure regulator D18040



Pos.	Part no.	Description
1	D09698	Stem assembly
2	D11521	Filter
3	D17656	Diaphragm
1 - 3	D45842	Repair kit



TESCOM EUROPE GMBH & CO. KG
 An der Trave 23-25 • D-23923 Selmsdorf • Germany
 Tel: +49 (0) 3 88 23 / 31-0 • Fax: +49 (0) 3 88 23 / 31-199
 info@tescom-europe.com • www.tescom-europe.com

TESCOM EUROPE is a business unit of the Regulator Division. Trademarks are property of divisions of Emerson Process Management.
 12120-09-05 Subject to technical changes

