



Specification

Single stage cylinder pressure regulator according to DIN 738-1 for the pressure reduction of pressurised medical gases.

CE -mark according to the Medical Device Directive 93/42/EEC.

❑ Fluid Media
med. O₂ / N₂O

❑ Operating Parameters
Inlet pressure: ... 11 to 200 bar /160 to 2900 PSIG
Outlet Pressure:
..... 5 bar / 73 PSIG at nominal flow 48 l/min
Relief valve:
Opening pressure 8 bar / 116 PSIG
Min. Flow 220 l/min (Air)
Temperature range:
Operation 10 to 40 °C
Storage -20 to +70 °C

❑ Weight 1.4 kg

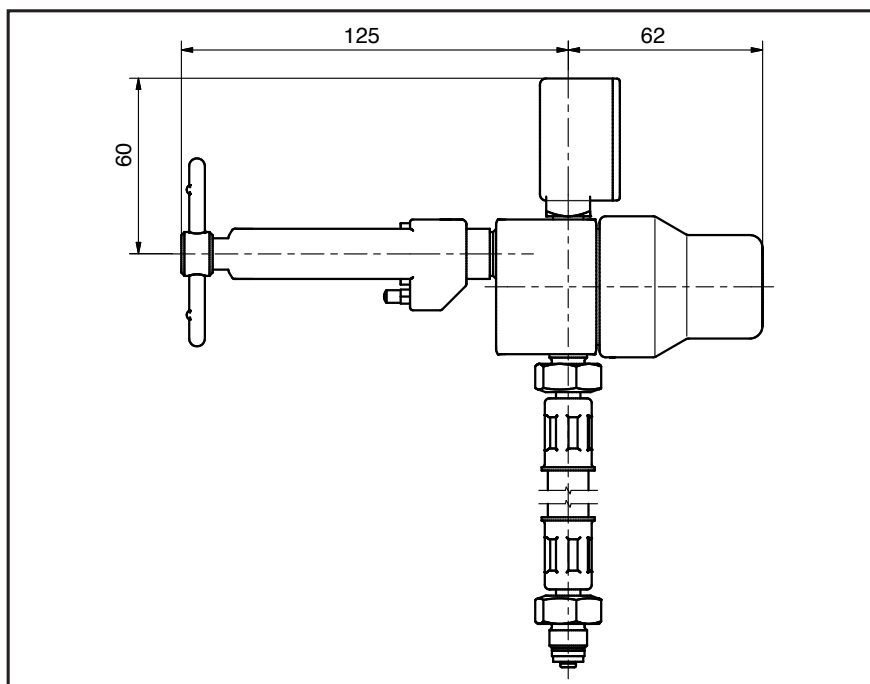
❑ Connections refer to order no. backpage



- Compact design
- Robust and reliable design for stationary and mobile application
- Integrated pressure relief valve

WegaMed Entonox


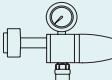

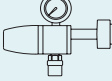
All dimensions in mm are approximate data depending on the design.



Ordering Information

Example Part Number:

D44244 - 61 E A1 2 C

BASIC SERIES	GAS ¹⁾	INLET CONNECTION	OUTLET CONNECTION	GAUGE FLOWMETER & CAP	GAUGE ORIENTATION
D44244	61 = O ₂ / N ₂ O	E = EN 850 Pin-Index	A1 = hose line 1,5 m M12 x1 (Connection demandvalve)	1 = ø 40 with safety cap 2 = ø 40 without safety cap	A = at top  B = at left side  C = at front side  D = at right side 

1) neutral gas code marking (other gas code marking on request)



An der Trave 23-25 • D-23923 Selmsdorf • Germany
 Tel. +49/(0)38823/31-0 • Fax +49/(0)38823/31-199
 info@tescom-europe.com • www.tescom-europe.com