

Specifications

The compact flow-meter “Flow Switch” is designed to supply medical oxygen for the inhalation or insufflation of patients with spontaneous respiration at different flow rates. It can be connected to a Central Gas Supply system and to other medical devices carrying the **CE**-marking acc. to the Medical Device Directive 93/42/ EEC.

Fluid Media

Medical O₂, Air, Air/O₂, N₂O und CO₂

Operating Parameters

Allowed inlet pressure:

Version NF S 90-116 2.6 - 3.4 bar/kPA x 100

. 37.7 - 49.3 PSIG

Version BS 5682:1998 3.5 - 4.5 bar/kPA x 100

. 50.75 - 65.25 PSIG

Version DIN 13260 and others

. 4.5 - 5.5 bar/kPA x 100

. 65.25 - 79.75 PSIG

Adjustable flow rate range:

. 0/1/2/3/4/6/8/12/15 l/min

. 0/0.2/0.3/0.4/0.6/0.8/1/2/4 l/min

Temperature range:

Operation -20 bis 60 °C

Storage -40 bis 70 °C

Weight 250 - 300 g (depending on connection)

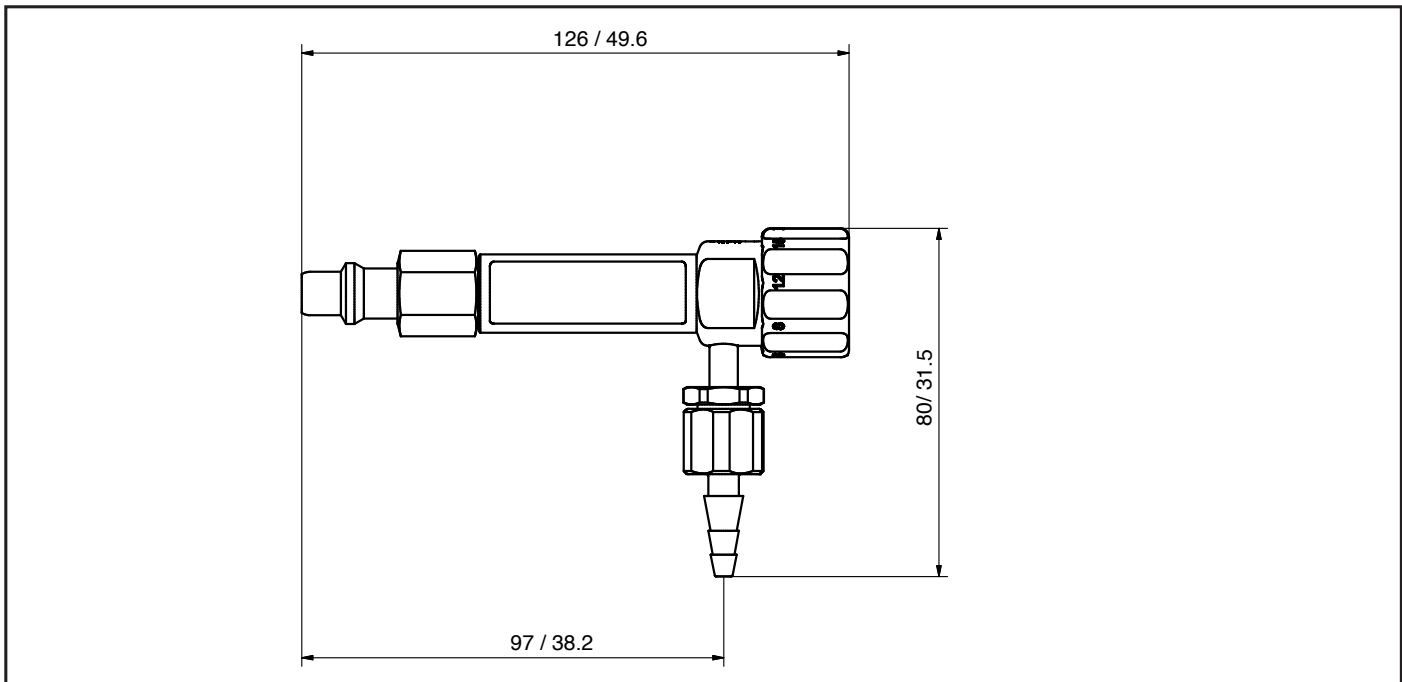
Connections see order no. on backpage



- Simple and easy handling
- Well proved design
- Small dimensions
- Light weight

Compact Flowmeter „Flow Switch“

All dimensions in mm (inch) are approximate data depending on the design



Ordering information

Example Part Number:

D50041 - 12 - - D A 8 15

| BASIC SERIES | GAS | GAS LABELLING | INLET CONNECTION ¹⁾ | OUTLET CONNECTION | FLOW RANGE |
|---------------|--|---|--|--|--|
| D50041 | 03 = CO ₂ 08 = Air 11 = Air/O ₂ 12 = O ₂ 13 = N ₂ O | N = TESCOM neutral black - = TESCOM ISO 32 | 0 = ISO 228/1 G1/4 D = DIN EN 13260 II F = NF S 90-116 B = BS 5682:1998 U = UNI 9507 K = SS 87 524 30 | 00 = M5 Female thread 61 = 9/16-18 UNF A8 = Hose insert Diameter 4/6/8 mm | 04 = 0/0,2/0,3/0,4/0,6/0,8/1/2/4 15 = 0/1/2/3/4/6/8/12/15 |

1) further inlet connection on request



TESCOM EUROPE GMBH & CO. KG

An der Trave 23-25 • D-23923 Selmsdorf • Germany
 Tel: +49 (0) 3 88 23 / 31-0 • Fax: +49 (0) 3 88 23 / 31-199
 info@tescom-europe.com • www.tescom-europe.com

TESCOM EUROPE is a business unit of the Regulator Division. Trademarks are property of divisions of Emerson Process Management.
 12137-11-05 Subject to technical changes

