

## Specification

Single stage cylinder pressure regulator in correspondence with DIN 738-1 for the pressure reduction of pressurised medical gases.

CE-mark according to the Medical Device Directive 93/42/EEC.

Fluid Media

med. O<sub>2</sub>, Air, N<sub>2</sub>O, CO<sub>2</sub>, Xe

Operating Parameters

Inlet pressure:

Air, O<sub>2</sub> ..... 11 to 200 bar / 160 to 2900 PSIG

N<sub>2</sub>O, CO<sub>2</sub>, Xe ..... 11 to 60 bar / 160 to 870 PSIG

Outlet Pressure:

Air ..... 5 bar / 73 PSIG at nominal flow 55 l/min

O<sub>2</sub> ..... 5 bar / 73 PSIG at nominal flow 50 l/min

N<sub>2</sub>O ..... 5 bar / 73 PSIG at nominal flow 45 l/min

CO<sub>2</sub> ..... 5 bar / 73 PSIG at nominal flow 45 l/min

Xe ..... 5 bar / 73 PSIG at nominal flow 25 l/min

Relief valve:

Opening pressure ..... 8 bar / 116 PSIG

Min. Flow ..... 220 l/min (Air)

Temperature range:

Operation ..... 10 to 40 °C

Storage ..... -20 to +70 °C

Weight ..... appr. 1.2 kg  
(depending on. Inlet connection)

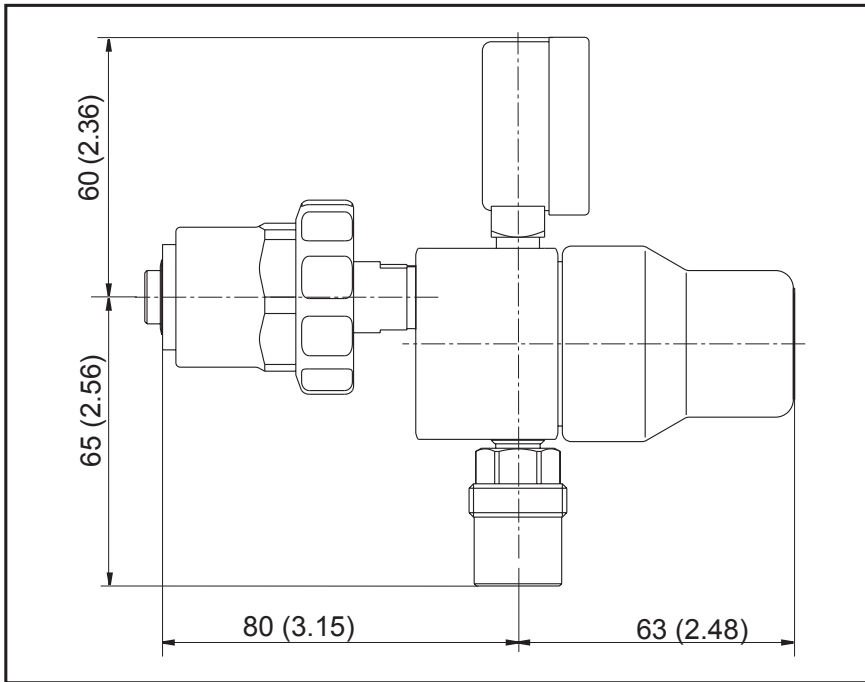
Connections ..... see order no. backpage



- Compact design
- Robust and reliable design for stationary and mobile application
- Integrated pressure relief valve

# WegaMed


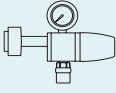

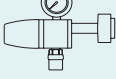
All dimensions in mm (inch) are approximate data depending on the design.



## Ordering Information

Example Part Number:

**D44244 - 12 D - 46 2 D**

BASIC SERIES	GAS <sup>1)</sup>	INLET CONNECTION	CAPACITY	OUTLET CONNECTION <sup>2)</sup>	GAUGE FLOWMETER & CAP	GAUGE ORIENTATION
<b>D44244</b>	<b>03</b> = CO <sub>2</sub> <b>08</b> = Air <b>12</b> = O <sub>2</sub> <b>13</b> = N <sub>2</sub> O <b>46</b> = Xe	<b>B</b> = BS 341 <b>D</b> = DIN 477 <b>E</b> = EN 850 Pin-index	– = for all gases except Nitrous Oxide and Nitrous Oxide with Pin-Index <b>K</b> = up to 3 l <sup>3)</sup> <b>G</b> = > 3 l <sup>3)</sup>	<b>00</b> = without (M12 x1 male swivel) <b>46</b> = NIST-connection acc. to EN 739 <b>55</b> = coupling acc. to DIN 13260, Part 2	<b>1</b> = ø 40 (1.57) with safety cap <b>2</b> = ø 40 (1.57) without safety cap	<b>A</b> = at top  <b>B</b> = at left side  <b>C</b> = at front side  <b>D</b> = at right side 

1) neutral gas code marking

2) further outlet connection on request

3) for Nitrous Oxide acc. to DIN 477



**TESCOM EUROPE GMBH & CO. KG**

An der Trave 23-25 • D-23923 Selmsdorf • Germany  
 Tel: +49 (0) 3 88 23 / 31-0 • Fax: +49 (0) 3 88 23 / 31-199  
 info@tescom-europe.com • www.tescom-europe.com

TESCOM EUROPE is a business unit of the Regulator Division. Trademarks are property of divisions of Emerson Process Management.

1244-09-05 Subject to technical changes

