

Specification

Flowmeter according to DIN EN 13220 to control flow of Oxygen or medical Air for inhalation or insufflation, in conjunction with the accessories needed for operation. **CE**-mark according to the Medical Device Directive 93/42/EEC.

Fluid Media

Oxygen and medical Air

Operating Parameters

Operating pressure: 5 bar / 500 kPa

Accuracy of flowrate at 5 bar (1013 hPa/20 °C):

..... ± 15 % (corresponding to smallest setting value)

..... ± 10 % (all other setting values)

Setting ranges:

..... 0.5 to 4 l/min

..... 2 to 16 l/min

..... 4 to 32 l/min

Temperature range for:

During operation 10 to 40 °C

During storage -20 to +70 °C

Weight 0.35 kg

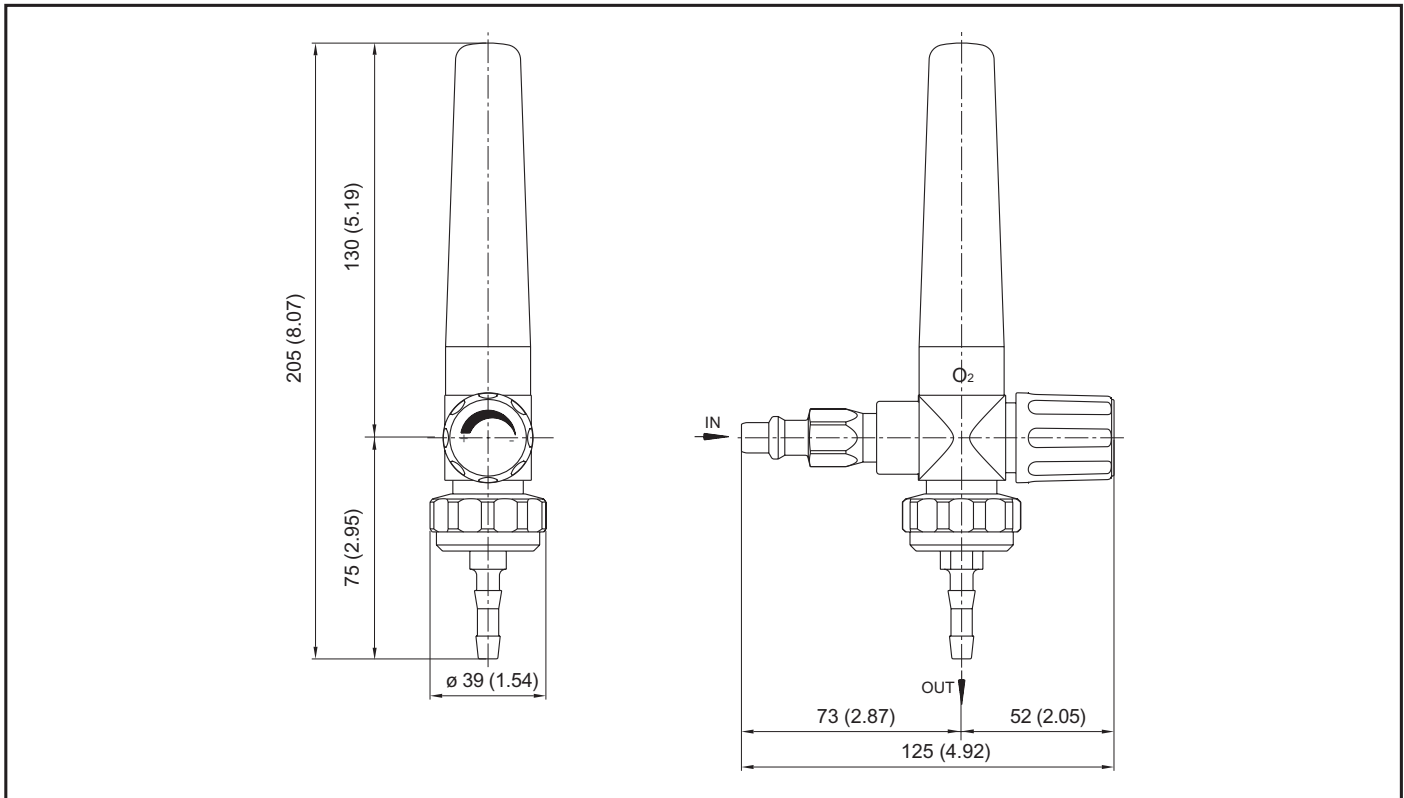
Connections see order no. on backpage



- Simple and easy handling
- Well proved design

Flowmeter

All dimensions in mm (inch) are approximate data depending on the design.



Ordering Information

Example Part Number:

D45234 - 12 - 55 - 12 C

BASIC SERIES	GAS ¹⁾	INLET CONNECTION ²⁾	OUTLET CONNECTION	SETTING RANGES
D45234	08 = Air 12 = O ₂	55 = plug-unit acc. to DIN 13260, Part 2	00 = female swivel Air: M32 x 1,5 O ₂ : M34 x 1,5 12 = hose nozzle Air: 5 mm O ₂ : 6 mm 61 = external thread Air: - O ₂ : 9/16-18 UNF	B = 0,5 - 4 l/min C = 2 - 16 l/min D = 4 - 32 l/min

1) neutral gascode marking

2) further inlet connection on request



TESCOM EUROPE GMBH & CO. KG

An der Trave 23-25 • D-23923 Selmsdorf • Germany
Tel: +49 (0) 3 88 23 / 31-0 • Fax: +49 (0) 3 88 23 / 31-199
info@tescom-europe.com • www.tescom-europe.com

TESCOM EUROPE is a business unit of the Regulator Division. Trademarks are property of divisions of Emerson Process Management.

1298-09-05 Subject to technical changes

