

Pre-Set / Spring Loaded / High Pressure

maximum 690 bar in / ranges up to 31 bar out
hydrogen regulator / high flow

20-1200 Series

Specifications

❑ Operating Parameters

Max. rated inlet pressure:

Stainless steel body: 690 bar (10,000 PSIG)

Aluminum body:345 bar (5,000 PSIG)

Max. outlet pressure:31 bar (450 PSIG)

Leakage: Bubble-tight

Operating temperature: -40 °C to +85 °C

Flow capacity (approximate): Cv = 0.5

❑ Media Contact Materials

Body: Aluminum 6061-T6 with Electroless
Nickel Plating or 316 Stainless Steel

Seat: Vespel®

O-rings: Buna-N

Main valve: 316 Stainless Steel

Sensor: (Aluminum body): Aluminum 6061-T6
(Stainless body): ...316 Stainless Steel

Spring: 302 Stainless Steel

Filter:316 Stainless Steel

Remaining parts: ... 300 Series Stainless Steel,
Teflon®, 18-8 Stainless Steel

For other materials and modifications, please consult factory.

❑ Connections: 1/4", 3/8" & 1/2" NPT

❑ Weight (approximate):0.6 kg

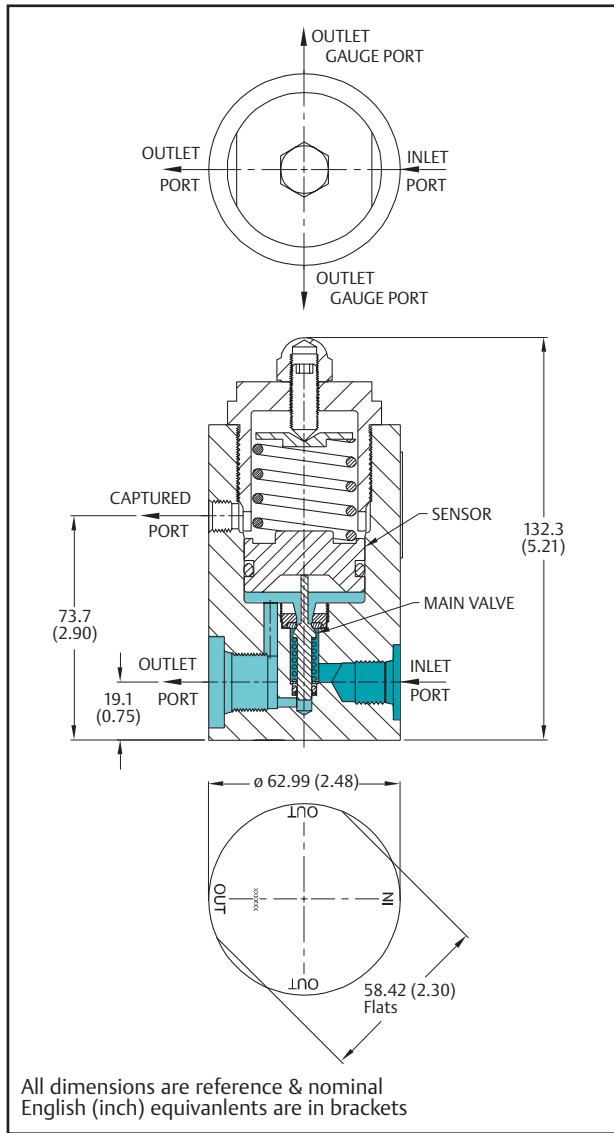


Advantages

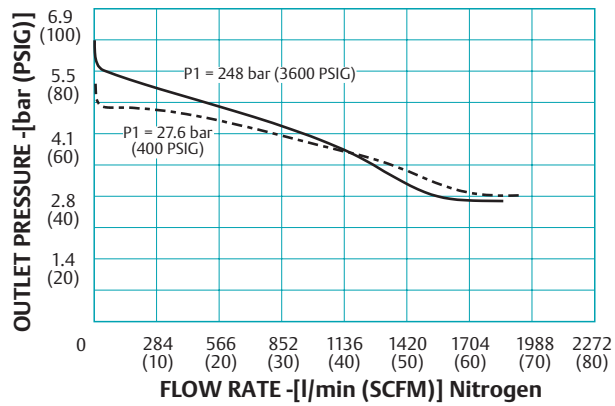
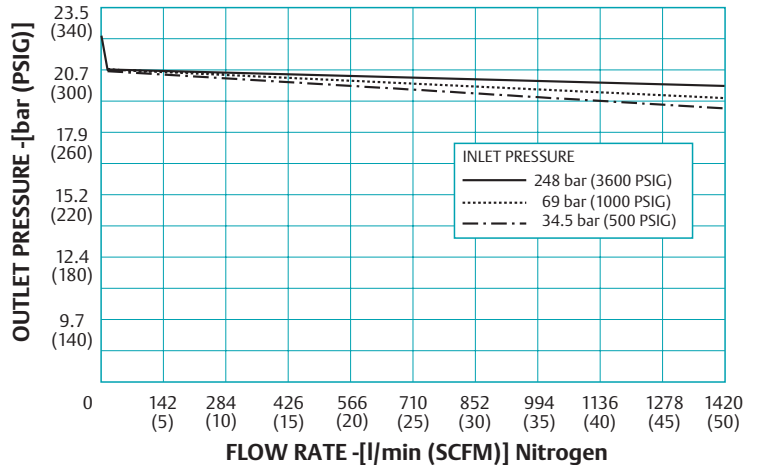
- 345 and 690 bar rated inlet pressures
- Piston-sensed design provides a long service life and enhanced safety
- High flow, minimal flow droop and balanced valve design
- Lightweight, precision machined aluminum construction
- Used in diverse applications under a wide range of temperatures, flows and pressures
- Wide variety of preset outlet pressures available

Teflon® and Vespel® are registered trademarks of DuPont

20-1200 Series Pre-Set / Spring Loaded / High Pressure



Flow Charts



Part Number Selector

Example Part Number:

20-12	3	2	-	1	9	01
BASIC SERIES	BODY MATERIAL	OUTLET PRESSURE RANGE		INLET & OUTLET PORT TYPE	INLET & OUTLET PORT SIZE	SET PRESSURES*
20-12	3 - Electroless Nickel-Plated 6061-T6 Aluminum 345 bar (5000 PSIG) Inlet pressure	1 - 0 to 5.2 bar (0 to 75 PSIG) 2 - 6.2 to 13.1 bar (90 to 190 PSIG) 3 - 7 to 22 bar (101 to 320 PSIG) 4 - 13.8 to 31 bar (200 to 450 PSIG)		1 - SAE 2 - NPT	4 - 1/4" inlet 1/4" outlet 9 - 3/8" inlet 1/2" outlet 3/8" gauge	01 - 10.3 bar (150 PSIG) 02 - 20.7 bar (300 PSIG) 03 - 27.6 bar (400 PSIG) 04 - 12 bar (175 PSIG) 05 - 3.4 bar (50 PSIG) 06 - 8.6 bar (125 PSIG) 07 - 11.7 bar (170 PSIG) 08 - 3.8 bar (55 PSIG)
	6 - 316 SST 690 bar (10,000 PSIG) Inlet pressure					

* Additional set pressures are available

For more information to **Repair Kits, Accessories & Modifications** please contact factory.



TESCOM EUROPE GMBH & CO. KG

An der Trave 23-25 • D-23923 Selmsdorf • Germany
Tel: +49 (0) 3 88 23 / 31-0 • Fax: +49 (0) 3 88 23 / 31-199
info@tescom-europe.com • www.tescom-europe.com

TESCOM EUROPE is a business unit of the Regulator Division. Trademarks are property of divisions of Emerson Process Management.
10103-10-05 Subject to technical changes

